

MAXI RODDER



| Model | Description |
|---------|---------------------|
| 49400M | 400 ft maxi rodder |
| 49600M | 600 ft maxi rodder |
| 49800M | 800 ft maxi rodder |
| 491000M | 1000 ft maxi rodder |
| 491200M | 1200 ft maxi rodder |

Includes:

- 7/16" (1.1 cm) diameter rod from 400' to 1200'
- Vertical/Horizontal stand & spool with wheeled frame & spool brakes
- Threaded end fittings to accept all accessories
- Marked in feet (add an additional "M" to part number for meters).

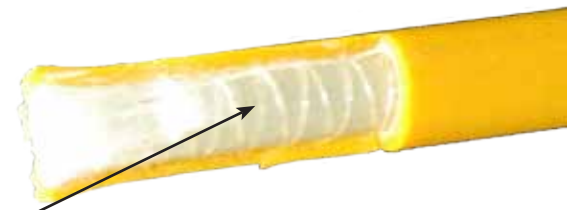
Developed for 3" (7.6 cm) or larger conduit and up to 1200 feet (366 m). The Maxi rodder combines long range lengths with high superior strength. Especially effective in pulling heavy electrical and telecommunications cable in long runs. This is a domestic rod not containing the same fiber ratio as other sizes.

Specifications:

Weight:

| | |
|---------|----------|
| 49400M | 102 lbs. |
| 49600M | 120 lbs. |
| 49800M | 138 lbs. |
| 491000M | 157 lbs. |
| 491200M | 170 lbs. |

| | |
|------------------|-----------|
| Pulling Strength | 3300 lbs |
| Bending Radii | 24" - 30" |

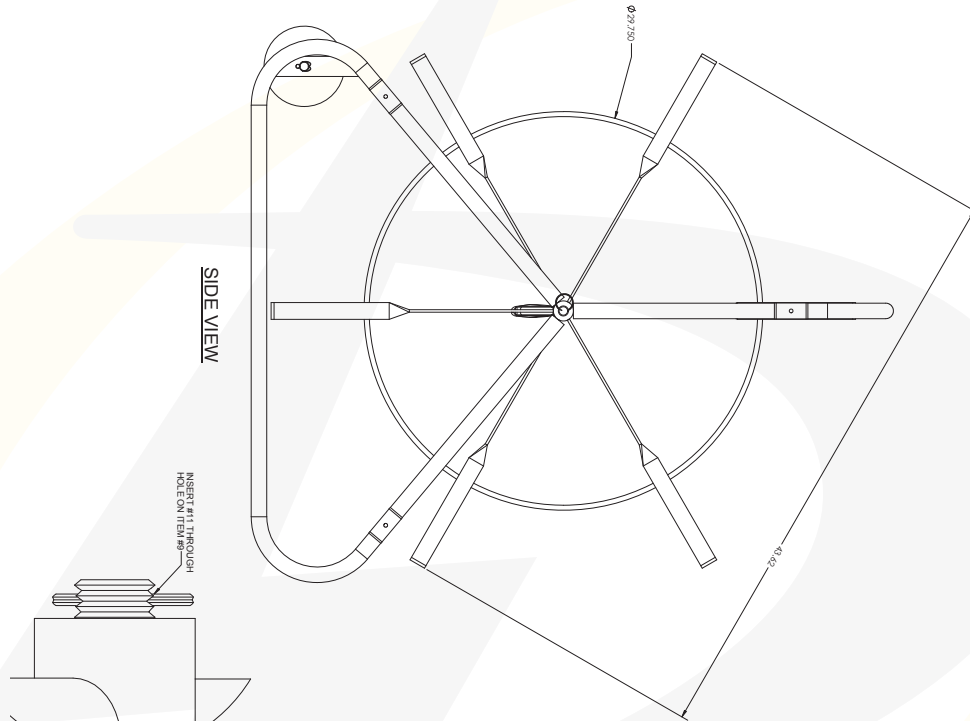


Counter winding

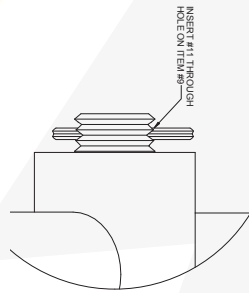


ISO 9001:2008
CERTIFIED

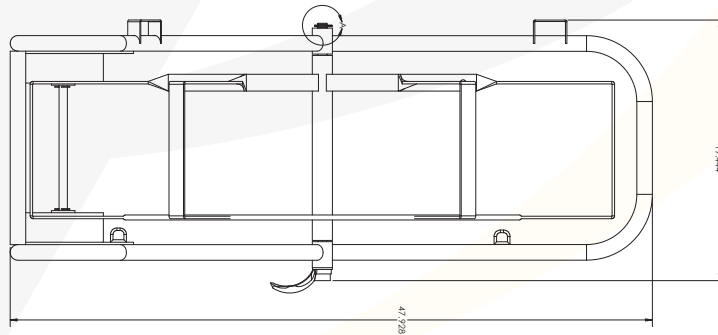
PRODUCT DETAILS



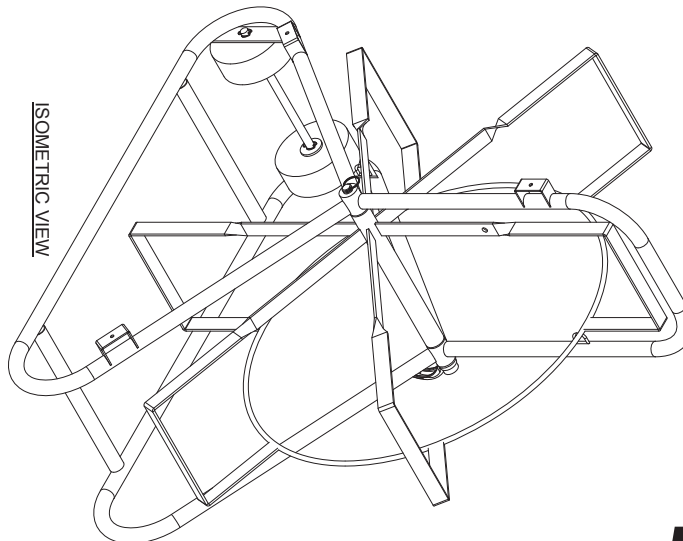
SIDE VIEW



FRONT VIEW



ISOMETRIC VIEW



ISO 9001:2008
CERTIFIED


PELSUE[®]
TRADITION+INNOVATION